

Körperschalllautsprecher EXT-5613I02

Art. Nr. 105010

Specification:

NO	ITEM	SPECIFICATION
1	Mechanical Layout & Dimensions	Shown in the Exciter-02.Drw
2	Nominal Impedance	$8\Omega \pm 15\%$ at 1KHZ, 1.0V (D.C.R= $7.2\Omega \pm 10\%$)
3	Input Power	Nom. Input 20W
		Max. Input 40W
4	Operation	8.94 Volt (200Hz-20KHz) Sweep Time at 2s
5	Resonant FerQ. F0	$270 \pm 20\%$ HZ (F0 Meter)
6	Flux Density	14500 GAUSS $\pm 10\%$
7	Insulation Resistance	No Less than 1M at DC 100V
8	Polarity	When positive voltage is applied to the (+) Terminal, Voice Coil should move out to of the Air gap.
9.	Weight	$155g \pm 10\%$ (Exciter weight)
10	Power Test	IEC 268-5 12.65V 48 Hours
11	Heat Resistance	Temperature: $+60^{\circ}\text{C} \pm 2^{\circ}\text{C}$
		Duration: 24 hours
12	Humidity Resistance	Temperature: $+40^{\circ}\text{C} \pm 2^{\circ}\text{C}$
		Relative Humidity: 93(+2/-3)%
		Duration: 48 Hours(GB)
13	Low Resistance	Temperature: $-10^{\circ}\text{C} \pm 3^{\circ}\text{C}$ testing 1 Hours (GB)
		And then $-20^{\circ}\text{C} \pm 3^{\circ}\text{C}$ testing 2 Hours(GB)
14	Dropping Test	$600 \pm 25\text{mm}$ $60^{\circ} \pm 5^{\circ}$ (GB)

Körperschalllautsprecher EXT-5613I02

Art. Nr. 105010

Sample Testing Report:

NO	ITEM	TESTING CONDITIONS	No1	No2	No3	No4	Result
1	Speaker Size	Out Diameter : $\Phi 56 \pm 0.3 \text{mm}$	56	56	/	/	OK
2	Impedance	$8 \Omega \pm 15 \%$ At 1KHZ, 1.0V (D.C.R.: $7.2 \Omega \pm 10\%$)	7.2	7.2	/	/	OK
3	Resonance Frequency	$270 \text{Hz} \pm 20\%$ (F0 Meter)	270	275	/	/	OK
4	Buzz & Rattle Test	Must Be Normal: Wave 8.94V (Form 200Hz To 20KHz)	√	√	/	/	OK
5	Polarity	When a positive D.C voltage is applied To the voice coil terminal marked to Diaphragm should move to the front	√	√	/	/	OK
6	Flux Density	$14500 \text{GAUSS} \pm 10\%$	14500	14520	/	/	OK
7	Power Test	IEC 268-5 12.65V 48 Hours	√	√	/	/	OK
8	Heat Resistance	Temperature: $+60^\circ \text{C} \pm 2^\circ \text{C}$ Duration: 24 Hours	√	√	/	/	OK
9.	Humidity Resistance	Temperature: $+40^\circ \text{C} \pm 2^\circ \text{C}$ Relative Humidity: $93(+2/-3)\%$ Duration: 48 Hours(GB)	√	√	/	/	OK
10	Low Temperature	Temperature: $-10^\circ \text{C} \pm 3^\circ \text{C}$ testing 1 Hours And then $-20^\circ \text{C} \pm 3^\circ \text{C}$ testing 2 Hours(GB)	√	√	/	/	OK
11	Dropping Test	$600 \text{mm} \pm 25 \text{mm}$ $60^\circ \pm 5^\circ$ (GB)	√	√	/	/	OK

Körperschalllautsprecher EXT-5613I02

Art. Nr. 105010

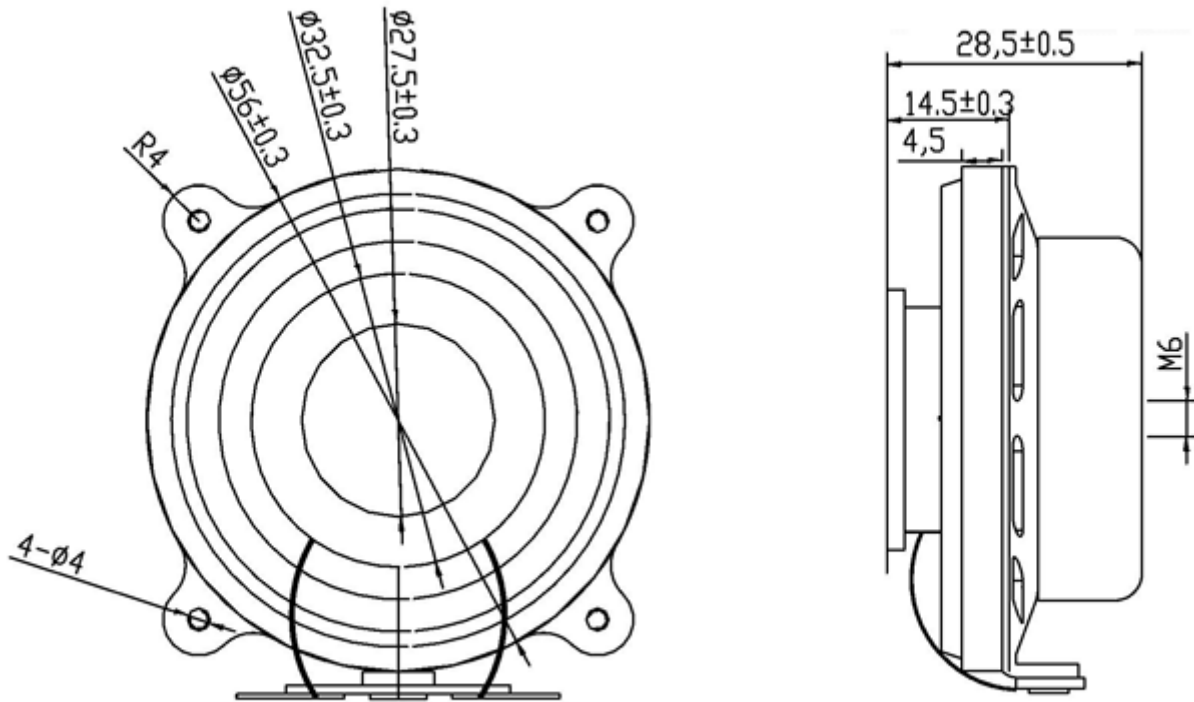
RoHS Substance Confirmation Form:

NO	SUPPLY ITEM		RoHS Substance Inspection Result						Survey Report No
			Cd	Pb	Hg	Cr6+	PBB	PBDE	(6 Material)
	Item	Material	100	1000	1000	1000	1000	1000	Ppm
1	Magnet	N38	ND	ND	ND	Negative	ND	ND	ECL01J082385007ER1
			OK	OK	OK	OK	OK	OK	2017/12/29
2	U cup	Fe	ND	ND	ND	Negative	ND	ND	CANEC1809189304
			OK	OK	OK	OK	OK	OK	2018/05/18
3	Voice Coil	KSV	ND	ND	ND	ND	ND	ND	KA/2018/11688
			OK	OK	OK	OK	OK	OK	2018/01/23
4	Basket	ABS	ND	ND	ND	ND	ND	ND	CE/2016/71321A
			OK	OK	OK	OK	OK	OK	2016/07/13
5	Coupler ring	ABS	ND	ND	ND	ND	ND	ND	KA/2017/C1706
			OK	OK	OK	OK	OK	OK	2017/01/06
6	Washer	Fe	ND	ND	ND	Negative	ND	ND	RLSDC000024190002C
			OK	OK	OK	OK	OK	OK	2017/05/10
7	Terminal	/	ND	ND	ND	Negative	ND	ND	CE/2017/12724
			OK	OK	OK	OK	OK	OK	2017/10/20
8	Damper	/	ND	ND	ND	ND	ND	ND	CE/2016/73709
			OK	OK	OK	OK	OK	OK	2016/07/23
9	Cone paper	Glass	NEG	NEG	NEG	NEG	NEG	NEG	DE105752
		Fiber	OK	OK	OK	OK	OK	OK	2016/01/21
10	Rubber	/	ND	ND	ND	ND	ND	ND	RLSZD000850880001
			OK	OK	OK	OK	OK	OK	2018/13/23

Körperschalllautsprecher EXT-5613I02

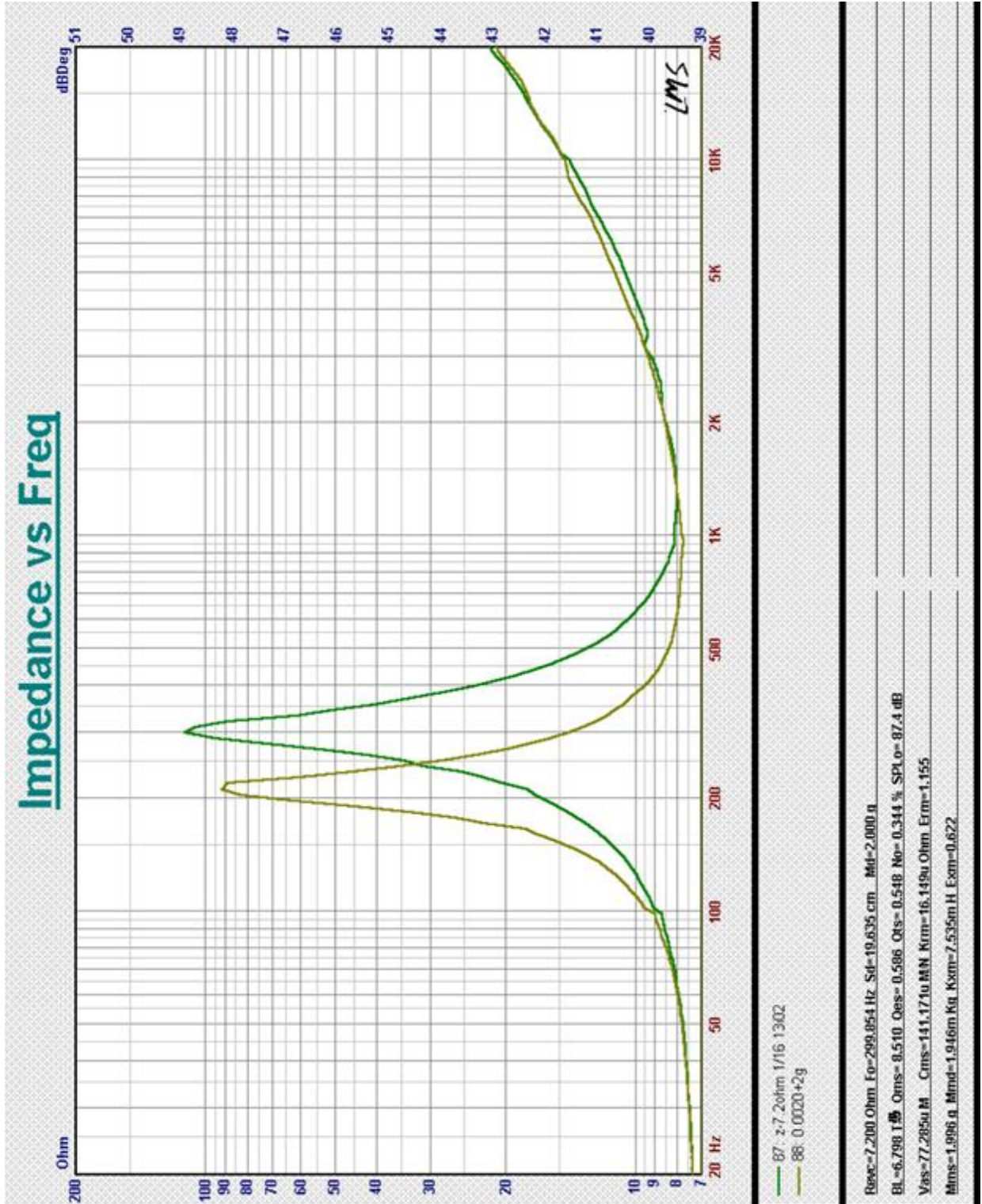
Art. Nr. 105010

Dimension:



Körperschalllautsprecher EXT-5613I02

Art. Nr. 105010



Version 1 / 04/2024